



**HANGZHOU
PTL CABLE**

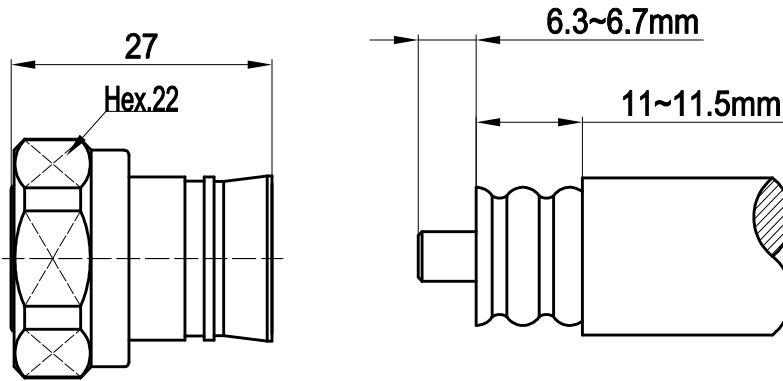
TECHNICAL SPECIFICATION

PTL0088-2020

4310M-12-WC01

Rev:A/1

Figure



Product Description

4.3/10M-1/2"L

4.3/10 Straight male Connector for 1/2" Flexible RF Cable

Material and Plating

Pin-Centre contact	Brass / Silver Plated
Outer contact & Body	Brass / Trimetal Plated
Dielectric	PTFE
Gasket	Silicon Rubber
Nut	Brass / Nickel Plated

Electrical Characteristics

Characteristics Impedance	50 Ohm
Insulation Resistance	≥ 5000MΩ
Centre contact resistance	≤ 1.00 mΩ
Outer contact resistance	≤ 0.60 mΩ
Dielectric Withstanding Voltage	2500V rms(AC)
Insertion Loss @890MHz – 960MHz	≤ 0.05dB
@1710MHz – 1880MHz	≤ 0.07dB
@1920MHz – 2170MHz	≤ 0.075dB
@2170MHz - 2700Mhz	≤ 0.085dB
PIM3	≤-160dBc

Environmental and Mechanical Specifications

Gauge retention force	
Centre contact	/
Outer contact	≥ 4.0 N
Coupling nut torque	5-15 N·m
Coupling nut retention force	≥ 450 N
Durability (matings)	≥ 500 cycles
Axial holding force of center conductor	30 N
Shock	As per std:IEC 60068-2-27/GB/T 2423.5
Vibration	As per std:IEC 60068-2-6/GB/T 2423.10
Salt mist	As per std:IEC 60068-2-11/GB/T 2423.17(48H)
Temperature Range	-45°C to +85°C
Weather Resistance	IP68

HANGZHOU PUTIANLE CABLE CO., LTD.

NO.89 KIAIYUAN STREE, QINGSHAN HU SCIENCE TECH INDUSTRIAL ZONE, LINAN DISTRIC, HANGZHOU CITY, CHINA