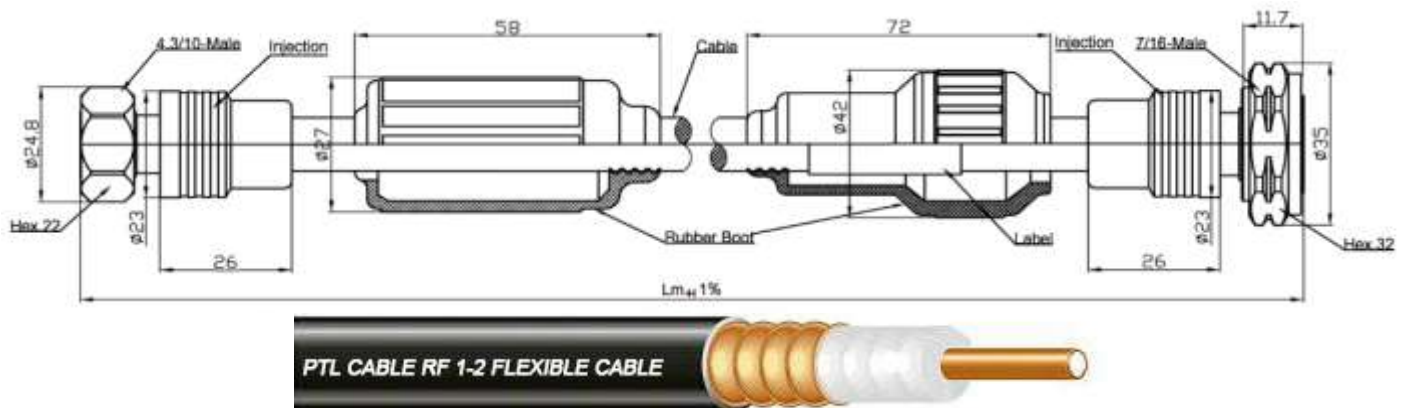




**Figure**



**Product Description**

<b>1. Cable Type:</b>	HCAAY-50-12(1/2" Flexible)	
<b>2. Cable:</b>		
Inner Conductor	Copper-Clad Aluminum Wire (Diameter 4.8 mm)	
Dielectric	Physical Foam Polyethylene (Diameter 12.3 mm)	
Outer Conductor	Corrugated Copper Tube (Diameter 13.9 mm)	
Jacket	Black PE - Polyethylene Halogen free (Diameter 15.7 mm)	
<b>3. Connectors:</b>		
Connector	4.310 type Male	7/16 type Male
Inner Conductor Pin	Brass/Silver Plating	Brass/Silver Plating
Body & Outer Conductor	Brass/Trimetal Plating	Brass/Trimetal Plating
Insulator	PTFE	PTFE
Gasket	Silicone Rubber	Silicone Rubber
Nut	Brass/Nickel Plating	Brass/Nickel Plating
<b>4. Waterproofs:</b>	Silicon Rubber	

**Electrical Characteristics**

Characteristics Impedance	50Ohm		
Insulation Resistance	≥5000MΩ		
Dielectric Withstanding Voltage	2500V rms (DC,1Min)		
Operating Frequency, (GHz)	0~2.7 GHz		
Insertion Loss	@890MHz – 960MHz	≤ 0.071*L+0.10dB	<b>Connector insertion loss</b> 0.05dB
	@1710MHz – 1880MHz	≤ 0.10*L+0.14dB	0.07dB
	@1920MHz – 2170MHz	≤ 0.11*L+0.15dB	0.075dB
	@2170MHz - 2700Mhz	≤ 0.124*L+0.17dB	0.085dB
	(L=Jumper Length)		
Return Loss	@890-960 MHz	≥ 28 dB	
	@1710-1880 MHz	≥ 28 dB	
	@1920-2170 MHz	≥ 28 dB	
	@2170-2700 MHz	≥ 26 dB	
PIM3(2*43dBm)	< -155dBc		

**Environmental and Mechanical Specifications**

Weather Resistance	IP68
Minimum bending radius, (mm)	≤ 70
UV Resistance	1000 hours
Operating Temperature	-45°C ~ +85°C
Storage Temperature Range	-55°C ~ +85°C
RoHS	Compliant
Halogen Free IEC 60754 – 2011	Compliant

(\*) Jumper Loss(dB) = Attenuation\* Jumper Length + 2\*Connector Insertion Loss